

**MAXIMIZE
STORAGE
SPACE** **MINIMIZE COSTS**

Carton Flow Systems

FlexTrak | **Selec**Trak | **Tray**Trak | **Flex**Trak mini



Engineered Products

FlexTrak | MAXIMUM FLEXIBILITY

FlexTrak Bed Carton Flow Features:

- Installs in new or existing rack applications
- Drop-in design allows for easy addition to existing shelving without the use of tools
- Laneless design accommodates changing product, tote, and carton dimensions allowing products to be placed in any carton flow bed location without lane reconfiguration.
- Carton flow hangers act as a front stop
- Full flow bed of rollers provides flexible carton flow support and consistent carton flow
- Great for use in: Seasonal Products, Dynamic Slotting, e-commerce, High SKU turnover



In-House Engineering

Having professional engineers in-house means we're armed and ready to meet any and all storage challenges. Need more space for production? Need to break pallets for faster picking? Or perhaps you need a redesign to accommodate a product addition. Whatever the case, our engineers know storage and racking inside and out, and have the expertise to make it happen.

Individualized Design

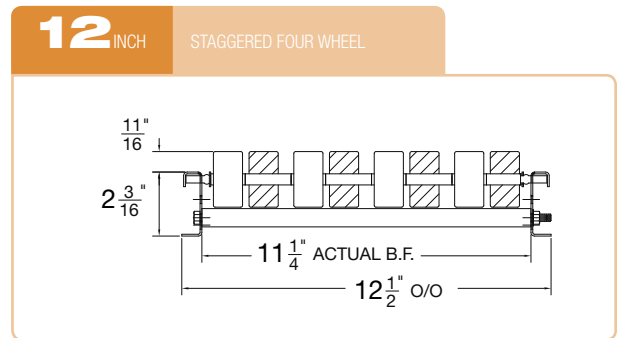
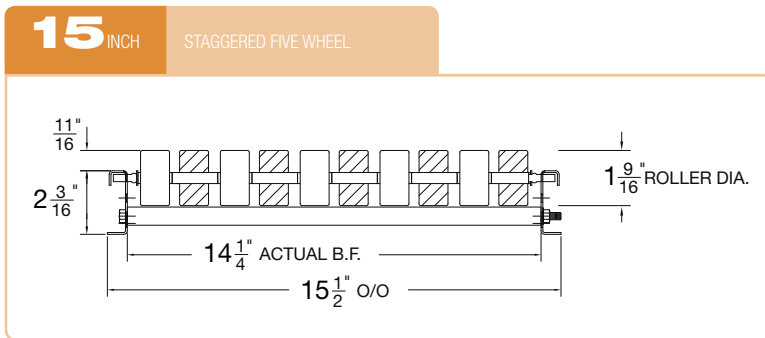
No two problems are the same, therefore neither are any two storage solutions. We make sure we understand not only your challenges, constraints and business goals in relation to your storage facility, but how your material handling system fits into your operation as a whole. From there we create a truly customized storage solution to perfectly fit your unique needs.

Unrivaled Support Team

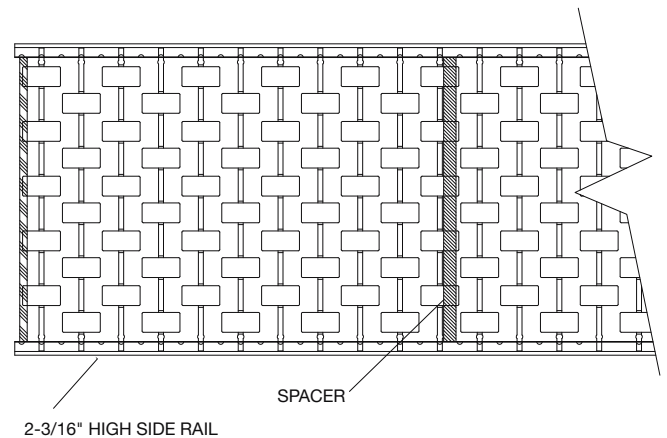
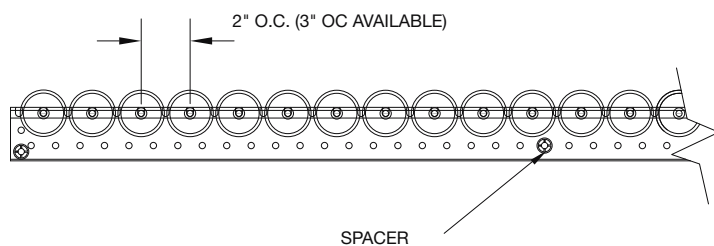
You'll never feel lost or out of the loop when you partner with Engineered Products. Our top-notch team of product, engineering and installation experts will make sure you know and understand exactly what's happening every step of the way; and our customer service team is always on hand to answer any questions.

Physical Specs

- FlexTrak is manufactured in 12" or 15" bf widths
- An 18" width is available upon request
- FlexTrak supports 50 psf with unsupported lengths up to 8'-0"
- Product guides are not required but entry separators and/or full length lane dividers are available upon request (no hardware required)
- Pitch requirement based on product weight and type of packaging
- Heavier or smaller products may require roller assemblies on 2" centers



Wheel assemblies are available in 2" or 3" centers.



Lane Capacities

Speed and precision play a pivotal role in warehouse and distribution center operations. Proper product flow is essential to improving supply chain efficiency and keeping your workers' stress and strain to a minimum. Knowing your lane capacity allows proper configuration and maximum productivity, with your product flowing the pick points right on time.

7'-6" 60 LBS PER SQUARE FOOT	8'-0" 50 LBS PER SQUARE FOOT	8'-6" 40 LBS PER SQUARE FOOT	9'-0" 30 LBS PER SQUARE FOOT	9'-6" 25 LBS PER SQUARE FOOT	10'-0" 20 LBS PER SQUARE FOOT
---	---	---	---	---	--

FlexTrak lanes over 10' 0" in length require an intermediate support beam. Please note that the longest span will dictate the lane capacity. Maximum 40 lbs/ft for 18" bf lanes.

FlexTrak Applications

Focus more on your customers and less on your products with the fluidity offered by FlexTrak. Change configurations to flow with your needs with seasonal products, dynamic slotting, e-commerce or high-turnover SKU applications. Our experts will help you optimize performance and productivity for maximum profit.



Options

Our first step is to understand your inventory requirements. Are your carton sizes consistent or do they vary by SKU? Do SKUs, carton types and sizes change frequently? Is system re-slotting a concern? With these answers, choosing your options is a snap.

NUCKLE DOWN



IMPACT PLATE



ENTRY GUIDE



FULL LENGTH GUIDE



Design Your Solution

We help many different industries determine what kind of storage equipment is ideal for their product mix and operational needs. Obviously, there are a whole host of options from the simple to the complex.

We will help you determine the best mix to keep your business booming by noticing the elephant in the room. Evaluation of the height of your shelf openings in flow rack is a good place to start. If some cases are taller than others, it causes difficulty for pickers reaching into them. In the meantime, lower profile cartons have copious amounts of wasted space between them and the next level. To maximize your system's capacity, consider grouping cartons of similar sizes together, or regularly reconfiguring your carton flow beam spacing to fit the current inventory profile.

FLEXTrak LANE WIDTH

Beam Length (Clear)	96"	100"	102"	108"	120"	144"
12" Lanes	0	4	3	1	2	0
15" Lanes	6	3	4	6	6	9
Total Beam Utilization	93.00	96.5	99.5	105.5	115	139.5

FlexTrak is manufactured in two different widths to make continuous wheel supports across one bay of rack. By utilizing as many 15" bf lanes as possible and filling in with 12" bf lanes Engineered Products can optimize your lane capacities.

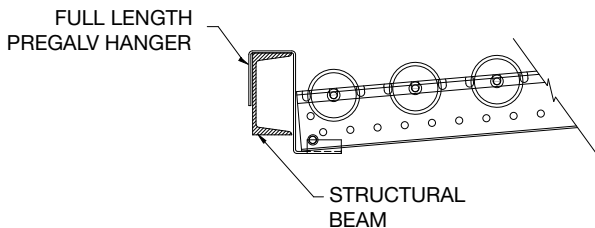
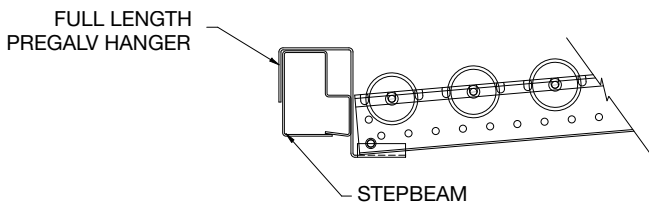
FLEXTrak ROLLER CENTERS

Carton Length	7"	10"	> 10"
Wheel Assembly Centers	2"	3"	3"

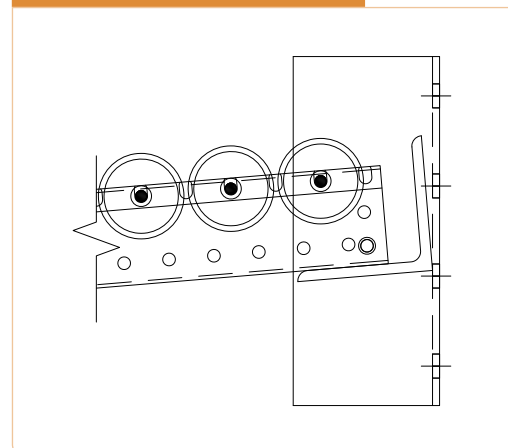
Wheel Assemblies are available in 2" or 3" centers.

Please note that roller spacing is dependent upon carton size, material stiffness, environmental conditions (e.g., room humidity, temperature, etc.)

FLEXTrak HANGERS



ANGLE BEAM ENTRY



SelecTrak | LANE DRIVEN

SelecTrak Carton Flow Features:

- Flexible and simple installation between pallet rack beams with simple supports
- Front and rear supports are available for structural beams, step beams, and tube beams
- Required vertical space is reduced
- Drop-in design allows for easy addition to existing racks and does not require the use of tools
- Full width aluminum carton flow rollers provide the total carton and case support and consistent flow from stocking position to picking position
- Multiple hanger design allows for flexibility using EP manufactured rack, existing rack, or rack supplied by another manufacturer
- Cantilever knuckle design presents products for easy picking of split cases and cartons or full cases and cartons
- Durable galvanized steel side rails and aluminum rollers

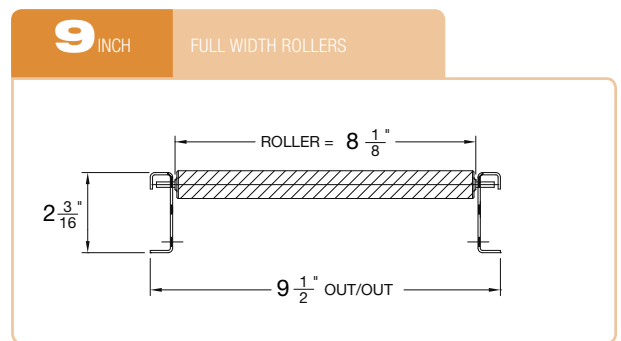
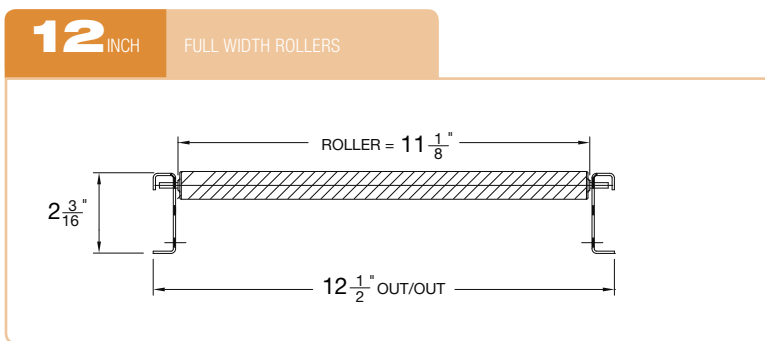


SelecTrak:

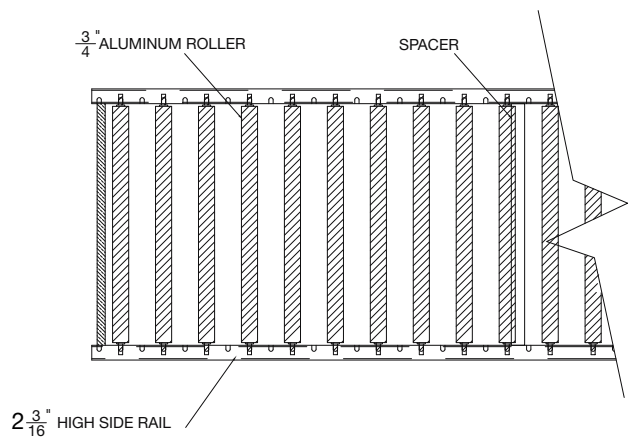
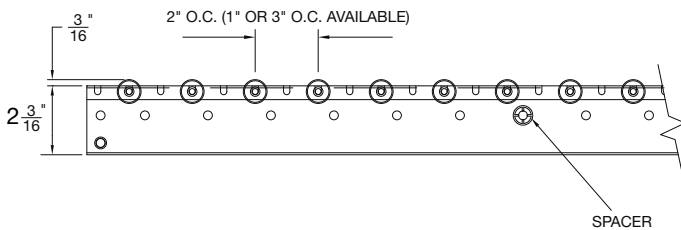
SelecTrak transforms static rack into high capacity, gravity flow picking systems that keep your stock easy to see and easy to access at all times. EP's drop in hanger design accommodates step, box, or structural beams to allow for an easy addition to existing rack without the use of tools. Our full width rollers provide total carton support and consistent carton flow.

Physical Specs

- SelecTrak is manufactured in 6", 9", 12", or 15" nominal widths
- SelecTrak supports 50 plf for unsupported lengths up to 7'-6"
- Lengths can be ordered in 1" increments
- Product Guides are not required but lane separators are available upon request
- Pitch requirement based on product weight and type of packaging
- Heavier or smaller products may require roller assemblies on 1" centers



Roller Assemblies can be placed 1", 2", or 3" o.c.



Lane Capacities

Speed and precision play a pivotal role in warehouse and distribution center operations. Proper product flow is essential to improving supply chain efficiency and keeping your workers' stress and strain to a minimum. Knowing your lane capacity allows proper configuration and maximum productivity, with your product flowing the pick points right on time.

7'-6" 50 LBS PER LINEAR FOOT	8'-0" 40 LBS PER LINEAR FOOT	8'-6" 35 LBS PER LINEAR FOOT	9'-0" 30 LBS PER LINEAR FOOT	9'-6" 25 LBS PER LINEAR FOOT	10'-0" 20 LBS PER LINEAR FOOT
---	---	---	---	---	--

SelecTrak lanes over 10' 0" in length require an intermediate support beam. Please note that the longest span will dictate the lane capacity.

SelecTrak Applications

SelecTrak offers the fluidity needed in your warehouse design. SelecTrak shines when SKU sizes are constant and the application is lane driven. SelecTrak offers an efficient and durable flow solution. Full case support eliminates the chance for hangups. Customer focus is essential. EP will assist in productivity optimization for maximum profit.



Options

Understanding your expectations and inventory requirements is our primary step. Knuckle down lanes offer top of case presentation for split case picking. Additional rollers or snap-on impact plates can be added in heavier use zones for additional support. By understanding your requirements we can assist in designing the perfect system.



Design Your Solution

We assist many industries by determining what type of storage equipment is ideal for their product mix and operation needs. Obviously, there are a whole host of options from the simple to the complex.

Evaluation of the height and clearance of your shelf openings in flow rack is a good place to start. Once clearance is determined, roller spacing can then be computed by evaluating carton lengths, weights, and carton base type. To maximize your system's capacity, consider grouping cartons of similar size together, or regularly reconfiguring your carton flow beam spacing to fit the current inventory profile. By considering these aspects, the outcome will be a design that perfectly fits your picking needs.

When cartons have a strong base:

- Product overhang is acceptable
- Product guides are not required
- There should always be a minimum of three rollers under each carton

SelecTrak ROLLER CENTERS

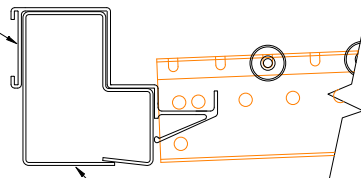
Carton Length	6"	9"	> 10"
Roller Assembly Centers	1"	2"	3"

Roller assemblies are available in 1", 2" or 3" centers.

Please note that roller spacing is dependent upon carton size, weight, material stiffness, environmental conditions (e.g., room humidity, temperature, etc.)

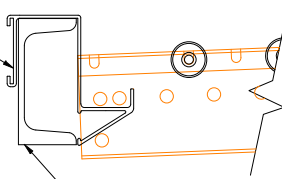
SelecTrak HANGERS

ALUMINUM HANGER WITH LABEL HOLDER



STEPBEAM

ALUMINUM HANGER WITH LABEL HOLDER



STRUCTURAL BEAM

TrayTrak

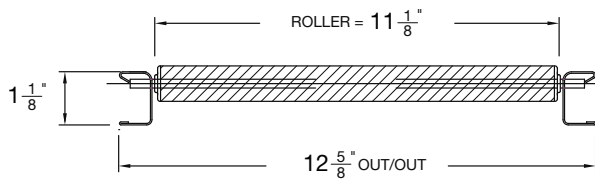
TrayTrak Features:

- Installs in new or existing pick trays
- Drop-in design allows for easy addition to existing shelving without the use of tools
- Carton flow shelves act as a front-end stop
- Full width rollers provide total carton support and consistent carton flow



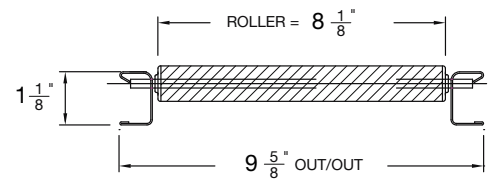
12 INCH

FULL WIDTH ROLLER

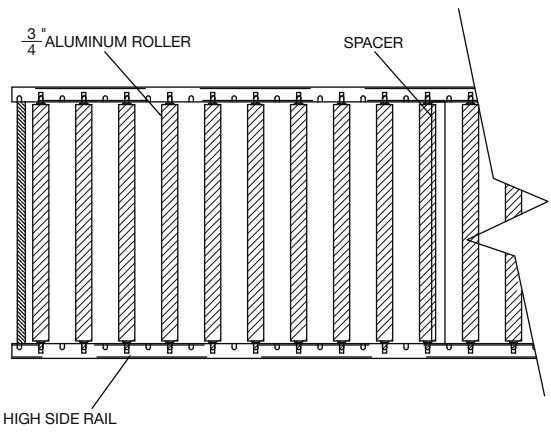
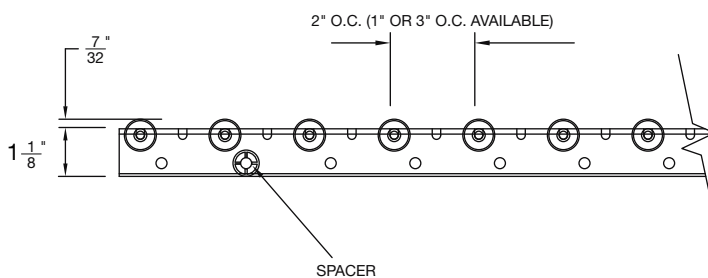


9 INCH

FULL WIDTH ROLLER



- There should be a minimum of three rollers under the smallest case
- Cartons with light or flimsy bottoms require rollers on a minimum of 2" centers
- Also available in 6" and 15" widths



FlexTrak mini

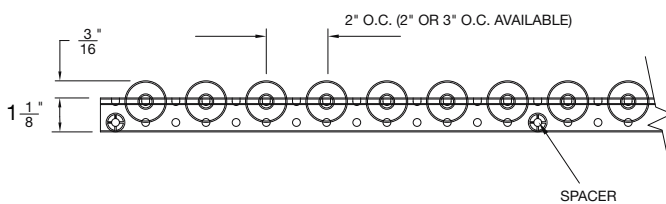
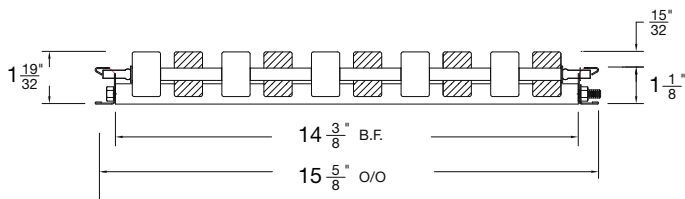
FlexTrak Mini Carton Flow Features:

- Installs in new or existing pick trays
- Drop-in design allows for easy addition to existing shelving without the use of tools
- Laneless design accommodates changing product, tote, and carton dimensions allowing products to be placed in any carton flow bed location without lane reconfiguration.
- Carton flow shelves act as a front end stop
- Full flow bed of rollers provides flexible carton flow support and consistent carton flow
- Great for use in: Seasonal Products, Dynamic Slotting, e-commerce, High SKU turnover



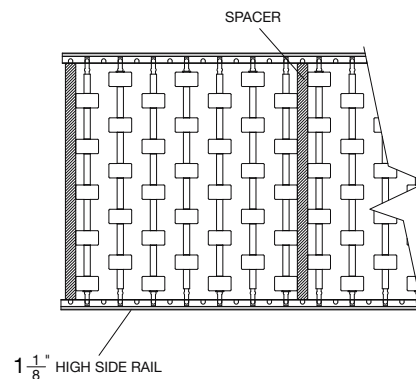
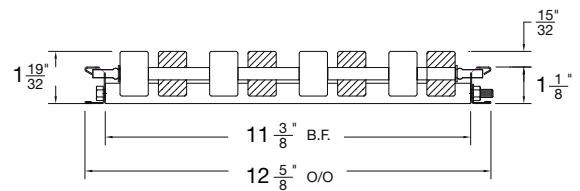
15 INCH

SOLID WHEEL



12 INCH

SOLID WHEEL



Think outside the lane.

Bring a new level of flexibility to your warehouse with Engineered Product's new FlexTrak carton flow system. Designed for warehouse environments where re-slotting occurs frequently, FlexTrak eliminates the need for restrictive slotting lanes, allowing products of any size to be easily moved from one area to the next.



Engineered Products